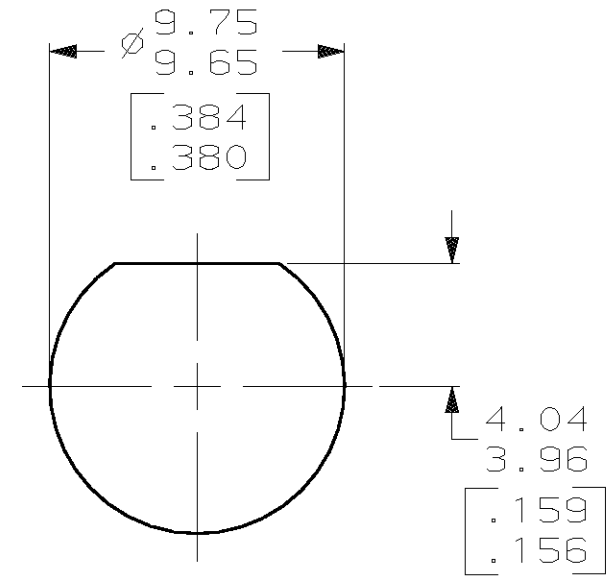
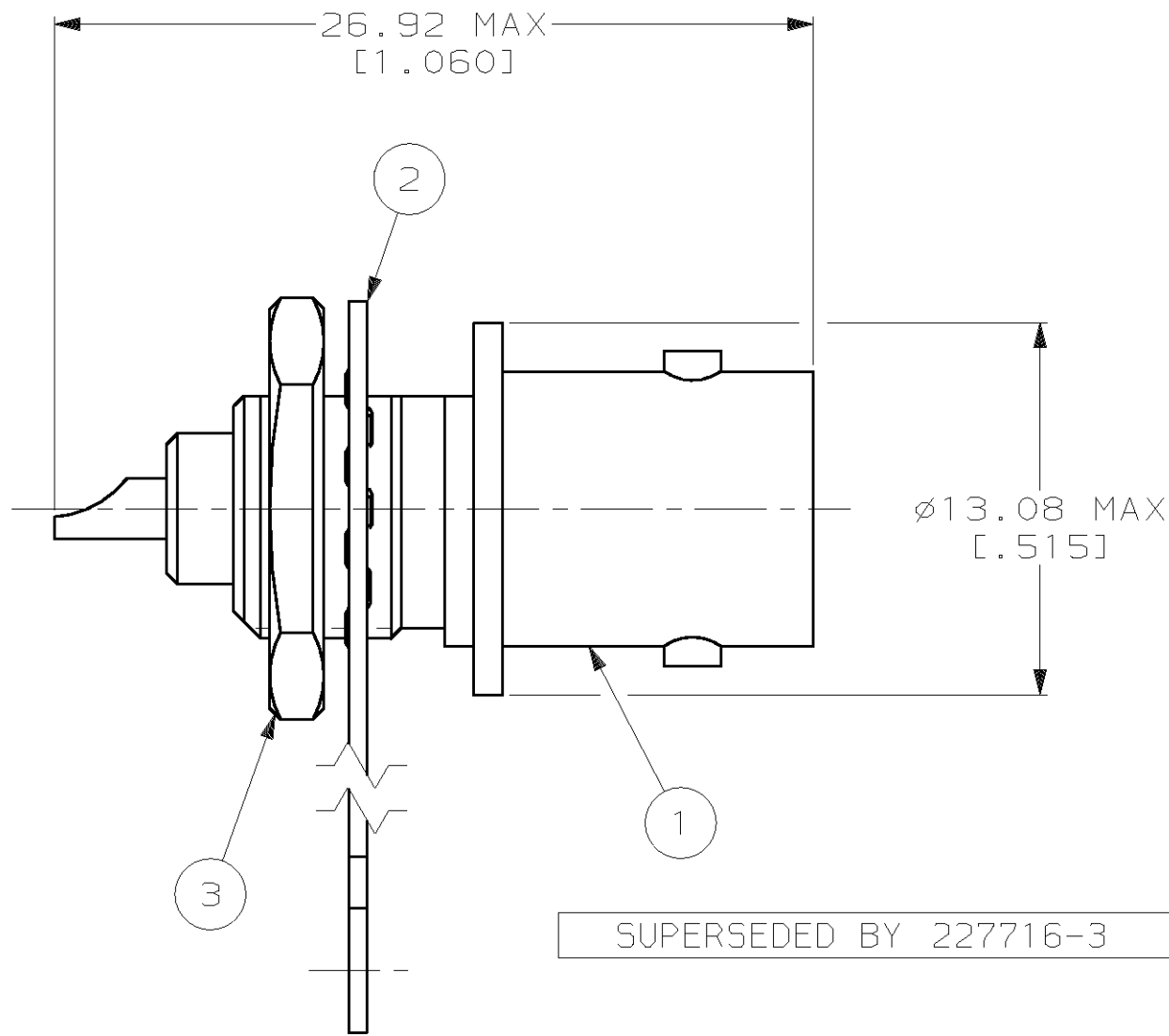


THIS DRAWING IS UNPUBLISHED. RELEASED FOR PUBLICATION, 19 .
 © COPYRIGHT 19 BY AMP INCORPORATED. ALL INTERNATIONAL RIGHTS RESERVED.

LOC	DIST	P	F	ZONE	LTR	DESCRIPTION	DATE	APPD
AJ	16				C	REDWN & OBS -2 PER AJ-2713	07-26-91	BAS
					D	SUPSD -1 PER AJ-6066	09-16-92	KT
					E	REV PER 0220-0371-94	6-1-94	JL



RECOMMENDED PANEL CUTOUT

SUPERSEDED BY 227716-3

1-330249-1	227260-2	227717-3	227716-3
1-330249-1	227260-2	227717-1	227716-1
3 JAM NUT QTY=1	2 LOCKWASHER, TERMINAL QTY=1	1 JACK ASSY QTY=1	PART NUMBER

DO NOT SCALE PRINT. UNLESS SPECIFIED DIMENSIONS IN mm [INCHES]		PART NO	
TOLERANCES ON:	DR 07-26-91 B. SCOTT	AMP Incorporated Harrisburg, PA 17105-3608	
2 PLC DEC ± -	CHK 8-14-91 J. LIPPERT		
3 PLC DEC ± -	APPD 8-15-91 M. PHILLIPS	NAME	
ANGLES ± -	APPD 8-15-91 J. LIPPERT	SOLDER JACK, SERIES BNC	
MATERIAL	PRODUCT SPEC	SIZE	CAGE CODE
-	-	B	00779
FINISH	APPLICATION SPEC	DRAWING NO	227716
-	-	SCALE	1 OF 1
WEIGHT	-	4:1	SHEET